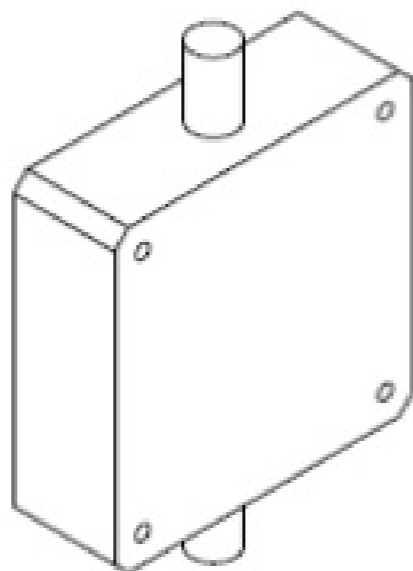
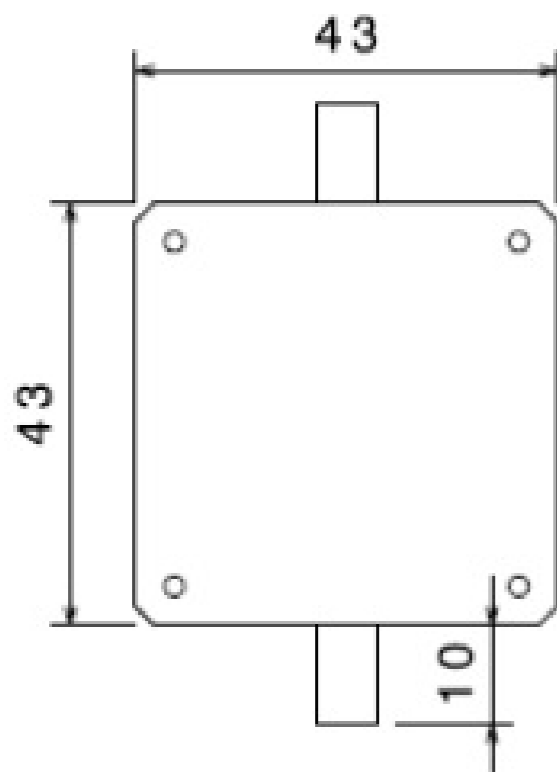




### Specifications

Part No	:	AT-GPS-GLNS-FDAMP-SMAF-28
Antenna Type	:	Active
Operating Frequency( $\pm 5$ MHz)	:	1575-1602MHz
Gain( $\pm 1.0$ dB)	:	27dB
Noise	:	$\leq 1.5$ dB
VSWR	:	$\leq 1.4$
Impedance	:	50 Ohm
Size	:	43.0 x 43.0 x 14.0
RF Cable Connector	:	SMA Female /N Female.
Working Temperature	:	-40 to +55( $^{\circ}$ C)
Working DC Voltage	:	5 $\pm$ 0.5 V
Working Current	:	$\leq 23-30$ mA
Storage Temperature	:	-55 to +80( $^{\circ}$ C)
Weight	:	0.15KG



DESIGNED BY: Kiran Kumar	GPS - GNSS - FEEDER - AMPLIFIER		I	-
DATE: 03/10/2016			H	-
CHECKED BY: Mr. S. Metri	ANAND TECHNOLOGIES		G	-
DATE: 03/10/2016			F	-
SIZE A3		DRAWING NUMBER AT-GPS-GLNS-FDAMP-SMAF-28	E	-
SCALE 1:1	WEIGHT (kg) XXX		D	-
		SHEET 1/1	C	-
			B	-
This drawing is our property; it can't be reproduced or communicated without our written agreement.			A	-