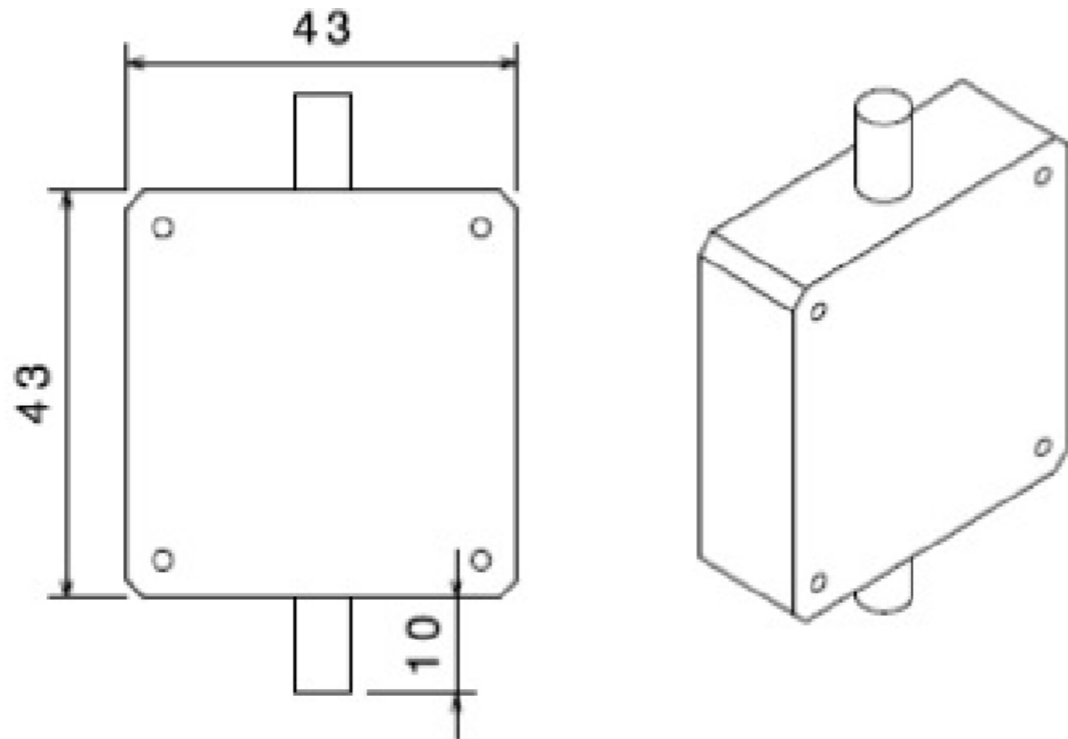




Specifications

Part No	:	AT-GPS-FDAMP-SMAF- 28
Antenna Type	:	Active
Operating Frequency(± 5 MHz)	:	1575.425MHz
Gain(± 1.0 dB)	:	28dB
VSWR	:	≤ 1.4
Noise	:	≤ 1.5 dB
Impedance	:	50 Ohm
Size	:	X x Y x Z mm
RF Cable Connector	:	SMA Female /N Female.
Working Temperature	:	-40 to +55($^{\circ}$ C)
Working DC Voltage	:	5 \pm 0.5 V
Working Current	:	$\leq 23-30$ (mA)
Storage Temperature	:	-55 to +80($^{\circ}$ C)
Weight	:	0.15KG



DESIGNED BY: Kiran Kumar	GPS FEEDER AMPLIFIER		I	-
DATE: 03/10/2016			H	-
CHECKED BY: Mr. S. Metri			G	-
DATE: 03/10/2016	ANAND TECHNOLOGIES		F	-
SIZE A3			E	-
SCALE 1:1	WEIGHT (kg) XXX	DRAWING NUMBER AT-GPS-FDAMP-SMAF- 28	D	-
		SHEET 1/1	C	-
This drawing is our property; it can't be reproduced or communicated without our written agreement.			B	-
			A	-