

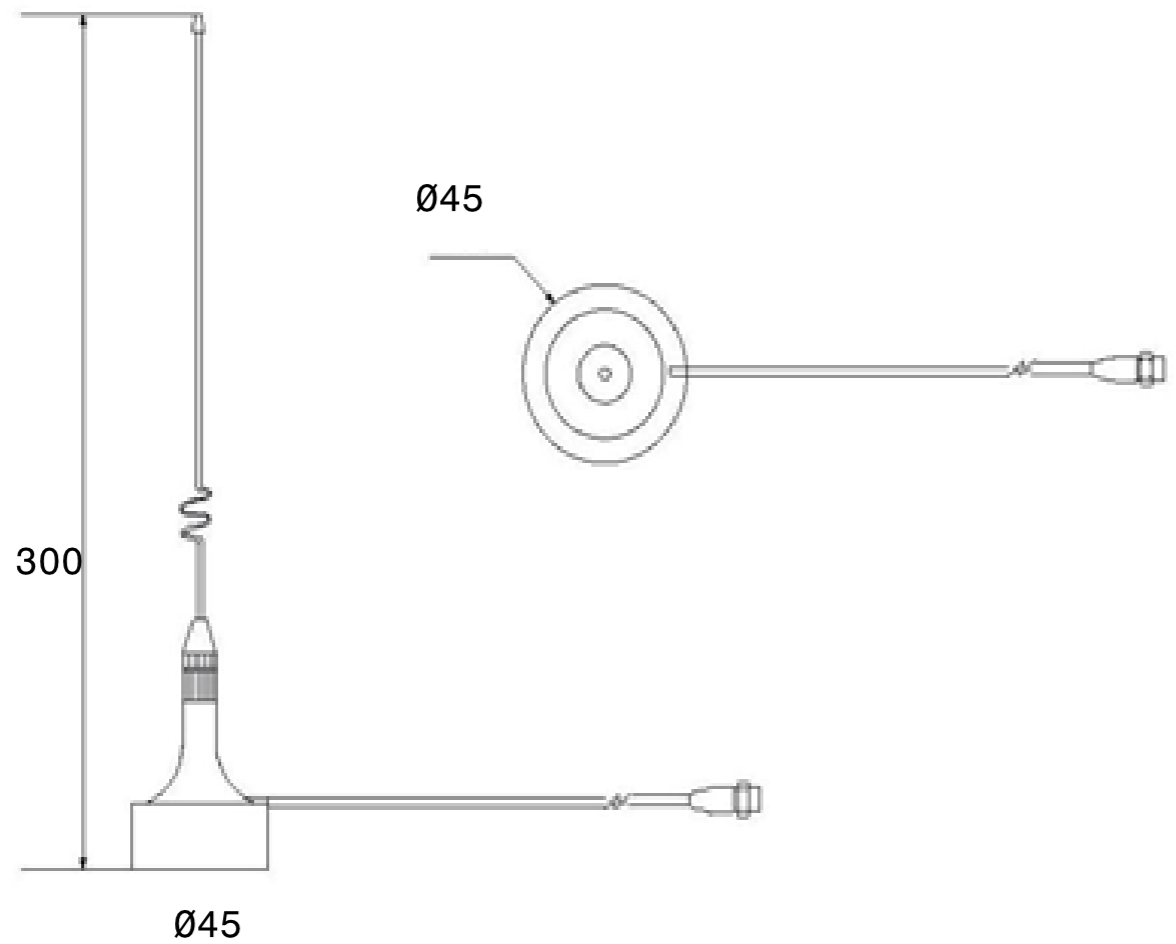


Electricl Specification

Part No : AT-ANT-QCDMA-HMM-SMA58-3-5.0
 Antenna Type : OMNI
 Operating Frequency : 824-894,1700-1800 MHz
 Gain (±0.5dBi) : 5 dBi
 Impedance : 50 Ohm
 Polarization : Vertical
 Horizontal
 RF Connector : SMA
 Connector Type : Male
 Finish : Au,Ni
 Cable Type : RG58
 Cable Length : 3 mtrs

Mechanical Specification

Dimensions : 300 x Ø45 mm
 Mount Type : Magnetic Mount
 Operating Temperature : -20 to +65(°C)
 Enclosure : Abs,Pc
 Environment : 95% RH Humidity
 Description : CDMA Band Antenna



DESIGNED BY: Kiran Kumar	CDMA BAND ANTENNA	I	-
DATE: 03/10/2016		H	-
CHECKED BY: Mr. S. Metri		G	-
DATE: 03/10/2016		F	-
SIZE A3	ANAND TECHNOLOGIES	E	-
SCALE 1:1		D	-
WEIGHT (kg) XXX	DRAWING NUMBER AT-ANT-QCDMA-HMM-SMA58-3-5.0	C	-
	SHEET 1/1	B	-
This drawing is our property; it can't be reproduced or communicated without our written agreement.		A	-