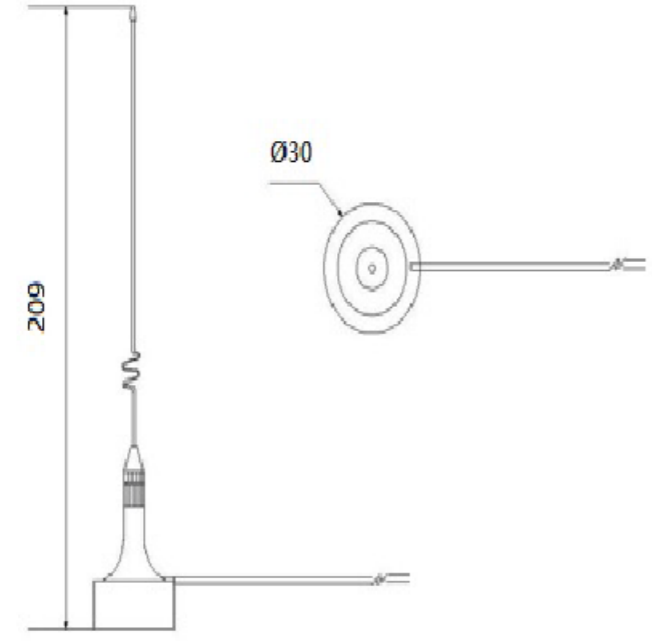


Electricl Specification

Part No : AT-ANT-GSM-H-SMA5-1  
 Antenna Type : OMNI (Quad Band)  
 Operating Frequency : 850,900,1800,1900 (MHz)  
 Gain((dBi) : 5(±0.5) dBi  
 Impedance : 50 Ohm  
 Polarization : Vertical/Horizontal  
 Cable Type : RG174  
 Cable Length : 1.5 mtrs



Mechanical Specification

Dimensions : 108±1 x Ø24±1.5 mm  
 Mount Type : Magentic Mount  
 Operating Temperature : -20 to +65(°C)  
 Enclosure : Abs,Pc  
 Environment : 95% RH Humidity  
 Description : Quad Band Antenna



DESIGNED BY: <b>Kiran Kumar</b>		<h1>GSM ANTENNA</h1>		I	-
DATE: <b>03/10/2016</b>				H	-
CHECKED BY: <b>Mr. S. Metri</b>				G	-
DATE: <b>03/10/2016</b>		F	-		
SIZE <b>A3</b>		<h2>ANAND TECHNOLOGIES</h2>		E	-
SCALE <b>1:1</b>	WEIGHT (kg) <b>XXX</b>			D	-
DRAWING NUMBER <b>AT-ANT-GSM-H-SMA5-1</b>		SHEET <b>1/1</b>		C	-
This drawing is our property; it can't be reproduced or communicated without our written agreement.				B	-
				A	-