

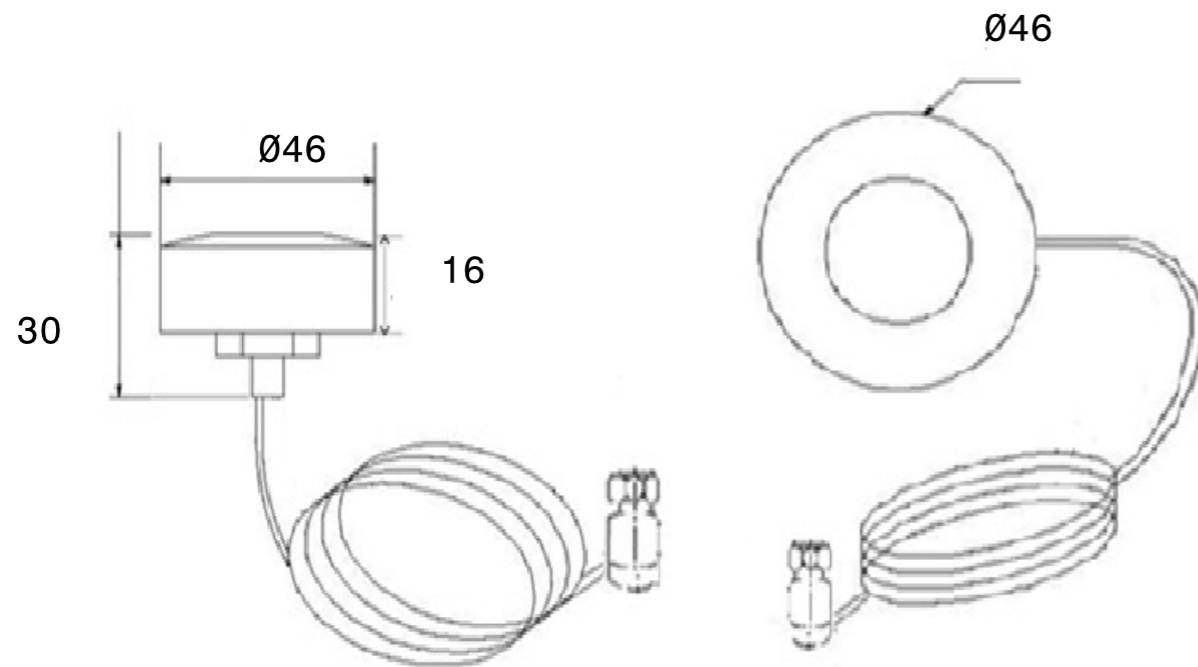
Electrical Specification



Part No	:	AT-ANT-GPSE-SMA-SC316-3.0
Antenna Type	:	Active
Operating Frequency	:	1575.425MHz
LNA Gain without cable(±0.5dB)	:	28.5dB
Patch Gain(±0.5dBi)	:	3.5dBi
DC Operating Voltage	:	2.75 - 5.0 V
Noise Figure	:	1.5db
Impedance	:	50 Ohm
Polarization	:	RHCP
Cable Type	:	RG316
Cable Length	:	3 mtrs
RF Connector	:	SMA Right Angle
Connector Type	:	Male

Mechanical Specification

Dimensions	:	30 x Ø 46 mm
Mount Type	:	Screw Mount
Operating Temperature	:	-20 to +65(°C)
Enclosure	:	Abs,Pc
Environment	:	95% RH Humidity
Description	:	GPS Outdoor Antenna



DESIGNED BY: Kiran Kumar		<b>GPS OUT DOOR ANTENNA</b>		I	-
DATE: 03/10/2016				H	-
CHECKED BY: Mr. S. Metri		<b>ANAND TECHNOLOGIES</b>		G	-
DATE: 03/10/2016				F	-
SIZE <b>A3</b>		<b>AT-ANT-GPSE-SMA-SC316-3.0</b>		E	-
SCALE <b>1:1</b>	WEIGHT (kg) <b>XXX</b>			D	-
DRAWING NUMBER <b>AT-ANT-GPSE-SMA-SC316-3.0</b>		SHEET <b>1/1</b>		C	-
This drawing is our property; it can't be reproduced or communicated without our written agreement.				B	-
				A	-