

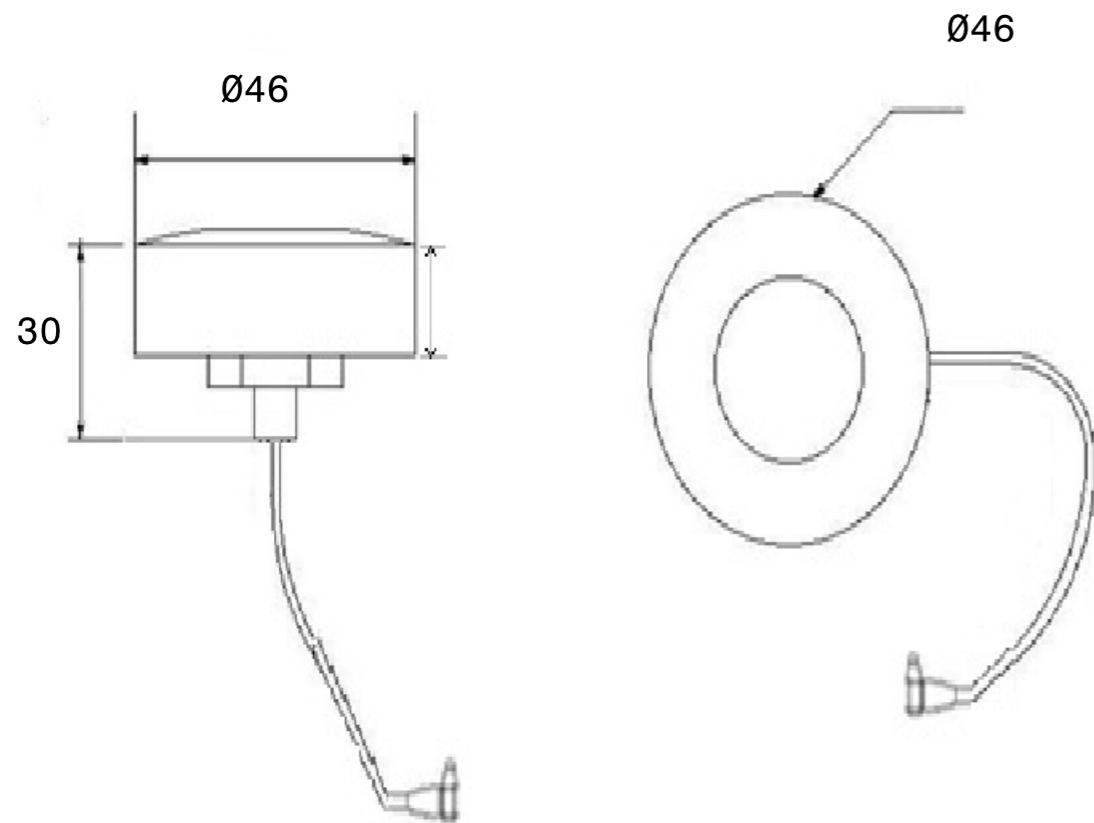
Electricl Specification



Part No	:	AT-ANT-GPSE-MCX-SC316-0.3
Antenna Type	:	Active
Operating Frequency(± 3MHz)	:	1575.425MHz
LNA Gain without cable(±0.5dB)	:	28.5dB
Patch Gain(±0.5dbi)	:	3.5dbi
DC Operating Voltage	:	2.75 - 5.0 V
Noise Figure	:	1.5db
Impedance	:	50 Ohm
Polarization	:	RHCP
Cable Type	:	RG316
Cable Length	:	0.3 mtrs
RF Connector	:	MCX Right Angle

Mechanical Specification

Dimensions	:	30 x Ø 46 mm
Mount Type	:	Screw Mount
Operating Temperature	:	-20 to +65(°C)
Enclosure	:	Abs,Pc
Environment	:	95% RH Humidity
Description	:	GPS External Antenna



DESIGNED BY: Kiran Kumar	GPS EXTERNAL ANTENNA			I	-
DATE: 03/10/2016				H	-
CHECKED BY: Mr. S. Metri				G	-
DATE: 03/10/2016				F	-
SIZE A3		ANAND TECHNOLOGIES		E	-
SCALE 1:1	WEIGHT (kg) XXX	DRAWING NUMBER AT-ANT-GPSE-MCX-SC316-0.3	SHEET 1/1	D	-
<small>This drawing is our property; it can't be reproduced or communicated without our written agreement.</small>				C	-
				B	-
				A	-