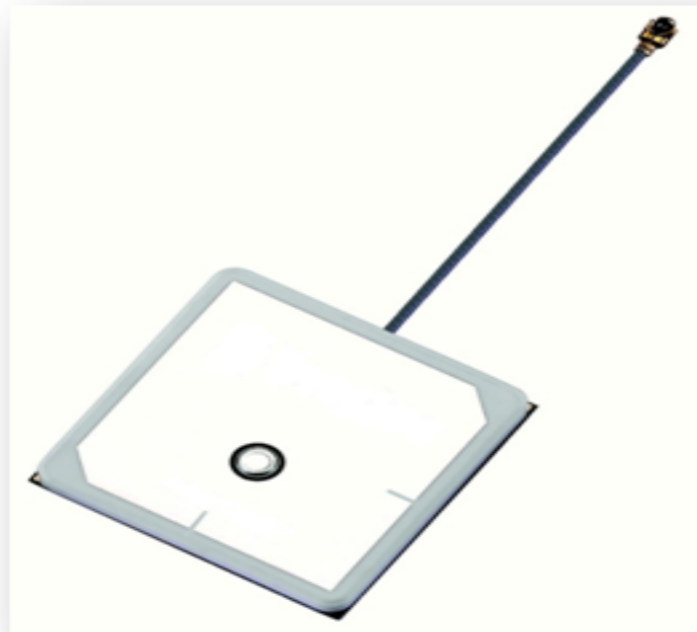


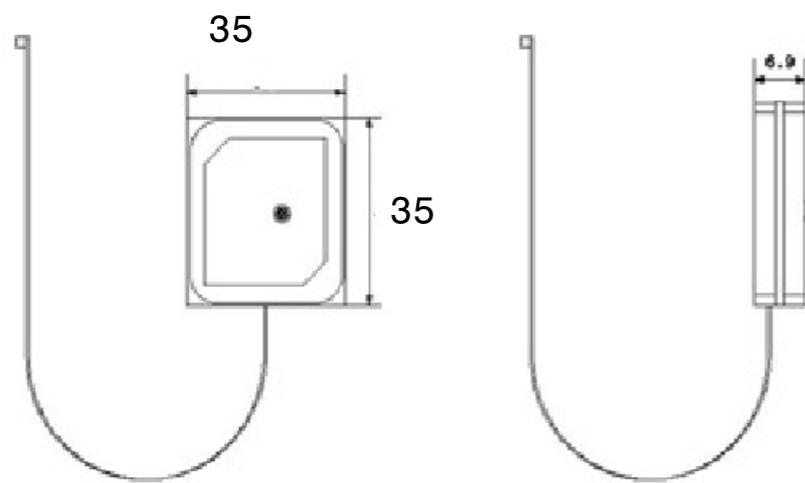
Electrical Specification

Part No	:	AT-ANT -GNSSGPS-UFL1.13-INTERNAL-27
Antenna Type	:	Active
Operating Frequency	:	1574/1602(MHz)
Overall Gain	:	1575.42MHz, 27 ± 3dBic typ. @ zenith 1602MHz, 0.5dBic typ. @ zenith
Patch Gain	:	1575.42MHz, 1dBic typ. @ zenith 1602MHz, 28.5 ± 3dBic typ. @ zenith
Axial Ratio	:	3.0dB max @ zenith
DC Operating Voltage	:	3.0 - 5.0(V)
VSWR	:	2.0 :1 max
Impedance	:	50 Ohm
Polarization	:	RHCP
Cable Type	:	Microcoaxial cable
RF Cable Connector	:	60mm 1.13 co-axial with IPEX MHF1
DC input	:	1.8min 3.0v 5.5V Max
LNA Gain	:	22db 28db 31db
Noise Figure	:	2.6db 2.6db 2.8db



Mechanical Specification

Dimensions	:	35 x 35 x 3.5
Mount	:	Magnetic Mount
Operating Temperature	:	-40 to +85(°C)
Enclosure	:	Abs,Pc
Environment	:	95% RH Humidity
Description	:	GNSS GPS Antenna



DESIGNED BY: Kiran Kumar		GNSS GPS ANTENNA	I	-
DATE: 03/10/2016			H	-
CHECKED BY: Mr. S. Metri		ANAND TECHNOLOGIES	G	-
DATE: 03/10/2016			F	-
SIZE A3		AT-ANT -GNSSGPS-UFL1.13-INTERNAL-27	E	-
SCALE 1:1	WEIGHT (kg) XXX		D	-
DRAWING NUMBER		1/1	C	-
SHEET			B	-
This drawing is our property; it can't be reproduced or communicated without our written agreement.			A	-