

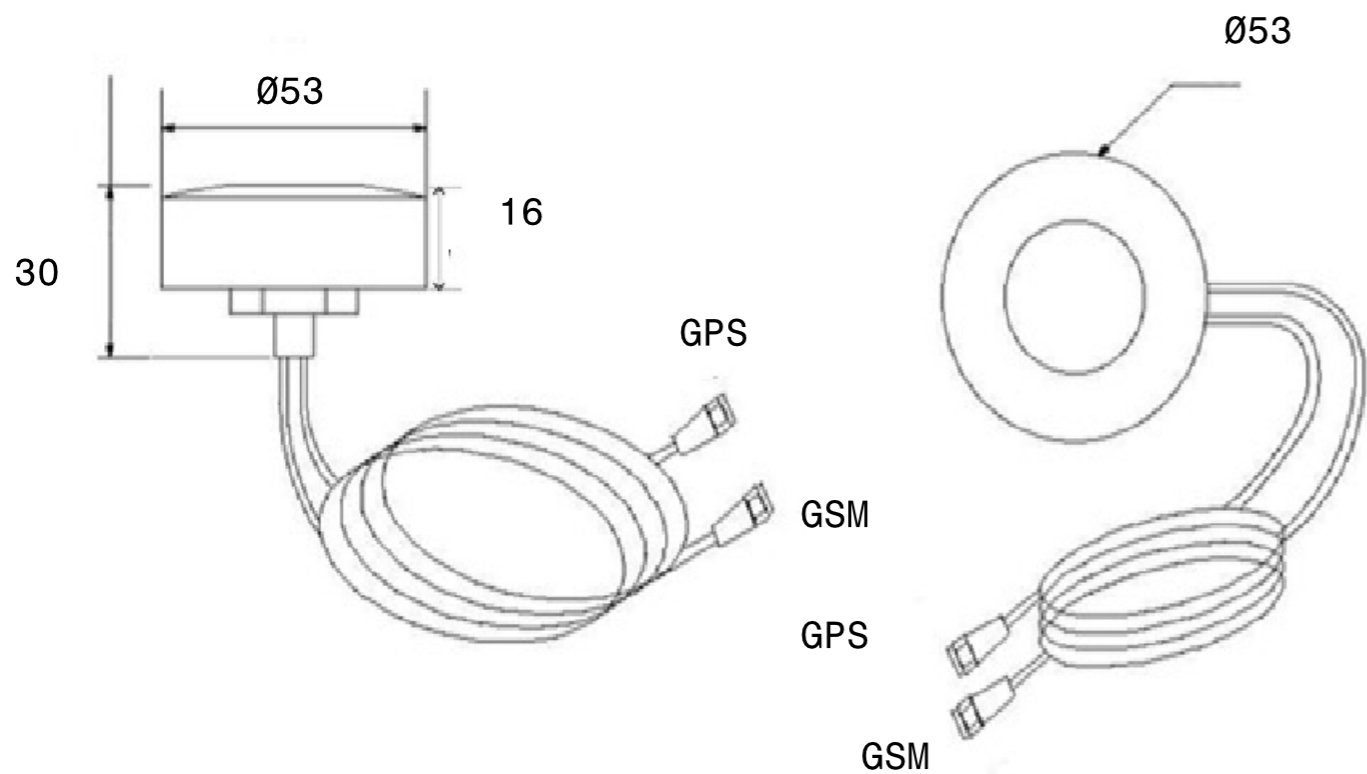
Electricl Specification



Part No	:	AT-ANT-CSCM-SMA316-28-3.0	
Antenna Type	:	<b>GPS</b>	<b>GSM</b>
Frequency Range(MHz)	:	1575.425 ± 3	850,900,1800,1900
LNA Gain(±0.5dBi)			
Without cable	:	>27.5	NA
Patch Gain (dBi)	:	>3.5±0.5	2.5 ±0.5
Noise Figure(dB)	:	<1.2-1.3	NA
DC Operating Voltage	:	2.7-5.0 V	NA
Impedance (Ω)	:	50	
Polarization	:	RHCP	Omni
RF Cable	:	RG 316 3 mtrs length	
RF Connector	:	GPS-RPSMA	GSM-SMA(M)

Mechanical Specification

Dimensions	:	30 x Ø53 mm
Mount Type	:	Screw Mount
Operating Temperature	:	-20 to +65(°C)
Enclosure	:	Abs,Pc
Environment	:	95% RH Humidity
Description	:	GSM/GPS COMBO Antenna



DESIGNED BY: Kiran Kumar	<b>GSM/GPS COMBO ANTENNA</b>	I	-
DATE: 03/10/2016		H	-
CHECKED BY: Mr. S. Metri	<b>ANAND TECHNOLOGIES</b>	G	-
DATE: 03/10/2016		F	-
SIZE <b>A3</b>		E	-
SCALE <b>1:1</b>		D	-
WEIGHT (kg) <b>XXX</b>	<b>AT-ANT-CSCM-SMA316-28-3.0</b>	C	-
DRAWING NUMBER <b>1/1</b>		B	-
	<b>1/1</b>	A	-

This drawing is our property; it can't be reproduced or communicated without our written agreement.