

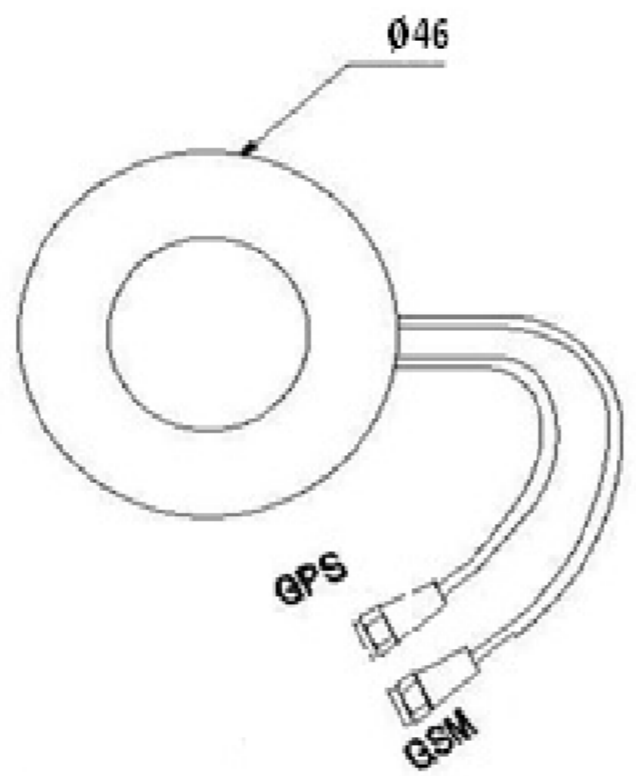
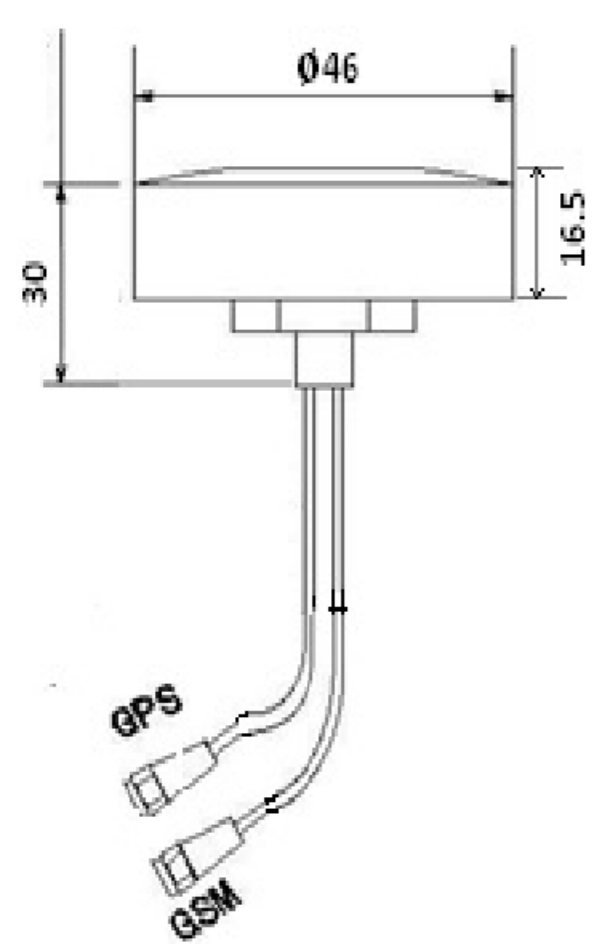
Electricl Specification



Part No	:	AT-ANT-CSCM-SMA316-28-0.3
Antenna Type	:	GPS GSM
Frequency Range(MHz)	:	1575.425 ± 3 900, 1800
LNA Gain((±0.5dBi)	:	
Without cable	:	>27.5 NA
Patch Gain (dBi)	:	>3.5±0.5 2.5 ±0.5
Noise Figure(dB)	:	<1.2-1.3 NA
DC Operating Voltage	:	2.7-5.0 V NA
Impedance (Ω)	:	50
Polarization	:	RHCP Omni
RF Cable	:	RG 316 1.0 ft length
RF Connector	:	GPS-RPSMA GSM-SMA(M)

Mechanical Specification

Dimensions	:	30 x Ø46 mm
Mount Type	:	Screw Mount
Operating Temperature	:	-20 to +65(°C)
Enclosure	:	Abs,Pc
Environment	:	95% RH Humidity
Description	:	GSM/GPS COMBO Antenna



DESIGNED BY: Kiran Kumar	GSM/GPS COMBO ANTENNA	I	-
DATE: 03/10/2016		H	-
CHECKED BY: Mr. S. Metri	ANAND TECHNOLOGIES	G	-
DATE: 03/10/2016		F	-
SIZE A3	DRAWING NUMBER AT-ANT-CSCM-SMA316-28-0.3	E	-
SCALE 1:1		D	-
WEIGHT (kg) XXX	SHEET 1/1	C	-
		B	-
This drawing is our property; it can't be reproduced or communicated without our written agreement.		A	-